

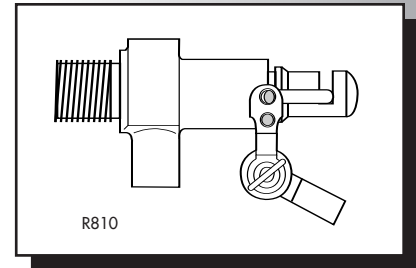
BOB® FLOAT VALVES & ASSEMBLIES

APPLICATIONS INCLUDE:

Cooling towers, livestock waterers, car wash, high pressure wash, swimming pools, and many other agricultural and industrial applications.

RC810 CASA VALVE ASSEMBLY w/STEM & FLOAT

ASSEMBLY NUMBER	PIPE SIZE		FLOAT		WEIGHT LBS.	MAX. INLET PRESSURE
	INLET	OUTLET	BALL	STEM		
RC810-3/8-5	3/8" MIP	FREE FLOW	R440-5	1/4 - 20X10"	1.44	120 PSI
RC810-1/2-5	1/2" MIP	FREE FLOW	R440-5	1/4 - 20X10"	1.44	120 PSI
RC810-3/4-5	3/4" MIP	FREE FLOW	R440-5	1/4 - 20X10"	1.69	100 PSI
R810-1-5	1" MIP	FREE FLOW	R440-6	1/4 - 20X10"	2.06	100 PSI

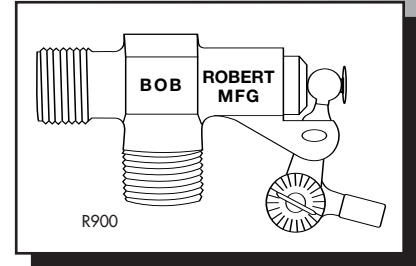


R810

R900 VALVE

- Fluted Plunger for Heavy Sand/Silt Conditions

PART NUMBER	PIPE SIZE		WEIGHT LBS.	FREE DISCHARGE FLOW CAPACITY	
	INLET	OUTLET		35 PSI	85 PSI
R900-3/8	3/8" MIP	3/8" MIP	.44	9 GPM	13 GPM
R900-1/2	1/2" MIP	1/2" MIP	.63	12 GPM	22 GPM
R900-3/4	3/4" MIP	3/4" MIP	.82	21 GPM	39.9 GPM
R900-1	1" MIP	1" MIP	1.13	43.5 GPM	68.5 GPM



R900

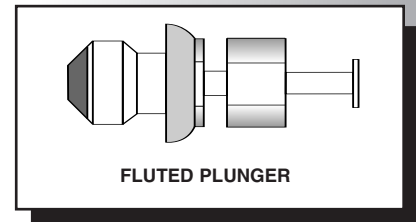
R900 VALVE ASSEMBLY w/STEM & FLOAT

ASSEMBLY NUMBER	PIPE SIZE		FLOAT		WEIGHT LBS.	MAX. INLET PRESSURE
	INLET	OUTLET	BALL	STEM		
R900-3/8-5	3/8" MIP	3/8" MIP	R440-5	1/4 - 20X10"	1.13	125 PSI
R900-1/2-5	1/2" MIP	1/2" MIP	R440-5	1/4 - 20X10"	1.31	125 PSI
R900-3/4-5	3/4" MIP	3/4" MIP	R440-5	1/4 - 20X10"	1.50	100 PSI
R900-1-5	1" MIP	1" MIP	R440-6	1/4 - 20X10"	1.94	100 PSI

R600 VALVE

- High Capacity - Heavy Duty
- Compound Lever
- Rotating Plunger
- Buna-N Disc Standard

PART NUMBER	PIPE SIZE		WEIGHT LBS.	FREE DISCHARGE FLOW CAPACITY	
	INLET	OUTLET		35 PSI	85 PSI
R600-1-1/4	1-1/4" FIP	1-1/4" FIP	3.50	82 GPM	120 GPM
R600-1-1/2	1-1/2" FIP	1-1/2" FIP	3.50	82 GPM	120 GPM



FLUTED PLUNGER

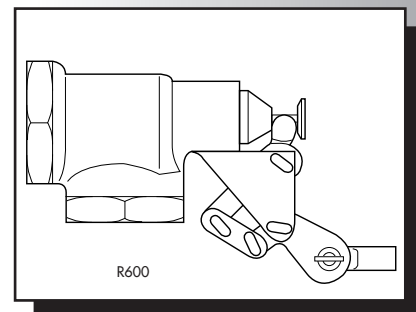
R600 VALVE w/STEM & FLOAT

ASSEMBLY NUMBER	PIPE SIZE		FLOAT		WEIGHT LBS.	MAX. INLET PRESSURE
	INLET	OUTLET	BALL	STEM		
R600-1-1/4-5	1-1/4" FIP	1-1/4" FIP	R440-6	1/4 - 20X10"	4.50	125 PSI
R600-1-1/2-5	1-1/2" FIP	1-1/2" FIP	R440-6	1/4 - 20X10"	4.50	125 PSI

R605T "HIGH TURBO" VALVE

- High Capacity - Heavy Duty
- Compound Lever
- Adjusting Short Arm
- For Use in Applications w/HIGH TURBULENCE
- Cooling Towers
- Car Washes

PART NUMBER	PIPE SIZE		WEIGHT LBS.	FREE DISCHARGE FLOW CAPACITY	
	INLET	OUTLET		35 PSI	85 PSI
RF605T-1/2	1/2" FIP	FREE FLOW	1.75	18 GPM	27 GPM
RF605T-3/4	3/4" FIP	FREE FLOW	1.85	18 GPM	27 GPM
RF605T-1	1" FIP	FREE FLOW	2.04	63 GPM	110 GPM



R600

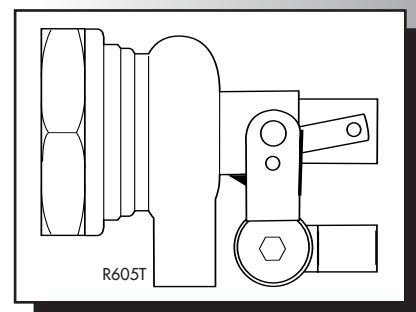
R605T "HIGH TURBO" VALVE ASSEMBLY w/STEM & FLOAT

ASSEMBLY NUMBER	PIPE SIZE		FLOAT		WEIGHT LBS.	MAX. INLET PRESSURE
	INLET	OUTLET	BALL	STEM		
RF605T-1/2-5	1/2" FIP	FREE FLOW	R440-5	1/4-20 X 10"	3.00	150 PSI
RF605T-3/4-5	3/4" FIP	FREE FLOW	R440-5	1/4-20 X 10"	3.20	150 PSI
RF605T-1-5	1" FIP	FREE FLOW	R440-8	*3/8-16 X 12"	4.90	150 PSI

*R434-11 Adapter Included

R605T "HIGH TURBO" VALVE

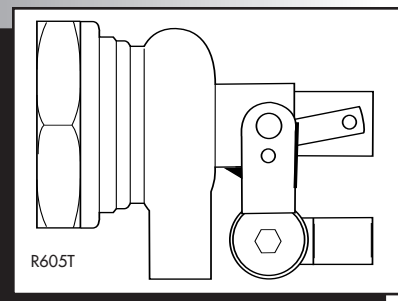
PART NUMBER	PIPE SIZE		WEIGHT LBS.	FREE DISCHARGE FLOW CAPACITY	
	INLET	OUTLET		35 PSI	85 PS
R605T-1-1/4	1-1/4" FIP	FREE FLOW	3	112 GPM	180 GPM
R605T-1-1/2	1-1/2" FIP	FREE FLOW	3	112 GPM	180 GPM
R605T-2	2" FIP	FREE FLOW	3	112 GPM	180 GPM



R605T

BOB® FLOAT VALVES & ASSEMBLIES

BOB® FLOAT VALVES & ASSEMBLIES

**R605T "HIGH TURBO" VALVE ASSEMBLY w/STEM & FLOAT**

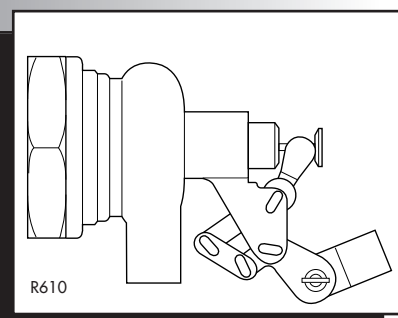
- R434-11 Adapter Included

LIST EACH	ASSEMBLY NUMBER	PIPE SIZE		FLOAT		WEIGHT LBS.	MAX. INLET PRESSURE
		INLET	OUTLET	BALL	STEM		
\$186.88	R605T-1-1/4-5	1-1/4" FIP	FREE FLOW	R440-8	3/8-16 X 12"	4.31	225 PSI
\$186.88	R605T-1-1/2-5	1-1/2" FIP	FREE FLOW	R440-8	3/8-16 X 12"	4.44	225 PSI
\$213.21	R605T-2-5	2" FIP	FREE FLOW	R440-8	3/8-16 X 12"	5.06	225 PSI

R610 VALVE

- High Capacity - Heavy Duty
- Compound Lever
- Rotating Plunger
- Adjusting Short Arm Tapped 1/8" FIP

LIST EACH	PART NUMBER	PIPE SIZE		WEIGHT LBS.	FREE DISCHARGE FLOW CAPACITY	
		INLET	OUTLET		35 PSI	85 PSI
\$73.75	R610-1-1/4	1-1/4" FIP	FREE FLOW	2.75	112 GPM	180 GPM
\$73.75	R610-1-1/2	1-1/2" FIP	FREE FLOW	2.75	112 GPM	180 GPM
\$95.01	R610-2	2" FIP	FREE FLOW	2.75	112 GPM	180 GPM

**R610 VALVE ASSEMBLY w/STEM & FLOAT**

- R209-3/8 x 1/8 Adapter Included

LIST EACH	ASSEMBLY NUMBER	PIPE SIZE		FLOAT BALL	STEM	WEIGHT LBS.	MAX. INLET PRESSURE
		INLET	OUTLET				
\$127.51	R610-1-1/4-5	1-1/4" FIP	FREE FLOW	R440-8	1/8" MIP X 12"	4.31	115 PSI
\$150.00	R610-1-1/2-5	1-1/2" FIP	FREE FLOW	R440-8	1/8" MIP X 12"	4.44	115 PSI
\$171.28	R610-2-5	2" FIP	FREE FLOW	R440-8	1/8" MIP X 12"	5.06	115 PSI

RF610 VALVE

- Adjusting Short Arm Tapped 3/8-16 SAE

LIST EACH	PART NUMBER	PIPE SIZE		WEIGHT LBS.	FREE DISCHARGE FLOW CAPACITY	
		INLET	OUTLET		35 PSI	85 PSI
\$73.75	RF610-1-1/4	1-1/4" FIP	FREE FLOW	2.75	112 GPM	180 GPM
\$73.75	RF610-1-1/2	1-1/2" FIP	FREE FLOW	2.75	112 GPM	180 GPM
\$95.01	RF610-2	2" FIP	FREE FLOW	2.75	112 GPM	180 GPM

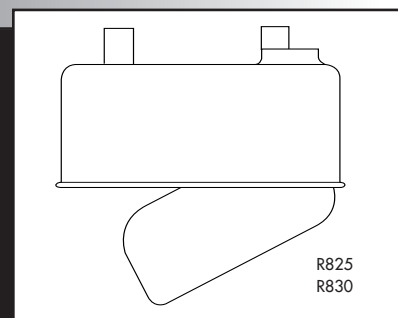
RF610 VALVE ASSEMBLY w/STEM & FLOAT

- R434-11 Adapter Included

LIST EACH	ASSEMBLY NUMBER	PIPE SIZE		FLOAT BALL	STEM	WEIGHT LBS.	MAX. INLET PRESSURE
		INLET	OUTLET				
\$127.51	RF610-1-1/4-5	1-1/4" FIP	FREE FLOW	R440-7	3/8-16 X 12"	4.31	115 PSI
\$150.00	RF610-1-1/2-5	1-1/2" FIP	FREE FLOW	R440-8	3/8-16 X 12"	4.44	115 PSI
\$171.28	RF610-2-5	2" FIP	FREE FLOW	R440-8	3/8-16 X 12"	5.06	115 PSI

- For HIGH TEMP DISC and CUP add suffix "V" to part number, i.e. R610-1-1/2V or R610-1-1/2-5V. Add \$4.29 to list.
- For POLYPROPYLENE FLOAT add suffix "P" to assembly number, i.e. R610-2-5P; R610-1-1/4-5P requires 8" Polypropylene float ball. Contact our sales office for current pricing.

BOB® COMPACT LIVESTOCK WATERER



- Converts Any Water Storage Tank to Automatic Waterer
- Fast and Easy Hook-up
- Garden Hose Connection
- Rugged Corrosion Resistant Plastic or Metal Case
- Two-level Water Settings

LIST EACH	MODEL	CONNECTION	OUTLET	WEIGHT	MAX. INLET PRESSURE
\$18.79	R825	GARDEN HOSE	FREE FLOW	PLASTIC CASE 1.37	70 PSI
\$26.29	R830	GARDEN HOSE	FREE FLOW	METAL CASE 1.62	70 PSI